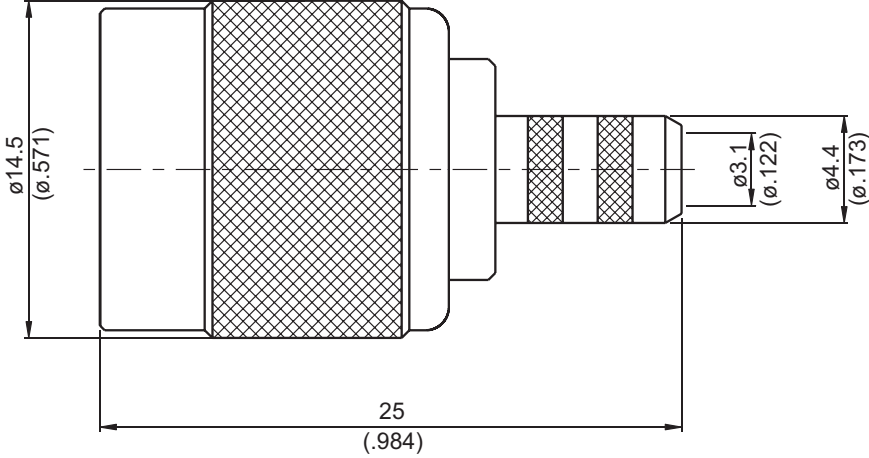


TNC3100-0142	TNC Plug Crimp		50Ω
			
Parts	Material	Plating (Micro-inch)	
Ferrule	Brass	Tin-Zinc-Copper-Alloy 100 Over Copper 50	
Contact Pin	Brass	Gold 3 Over Nickel 50 Over Copper 50	
Gasket	Silicon		
Ring	Delrin		
Washer	Brass	Tin-Zinc-Copper-Alloy 100 Over Copper 50	
Insulator	Teflon		
Body	Brass	Tin-Zinc-Copper-Alloy 100 Over Copper 50	
Coupling Nut	Brass	Tin-Zinc-Copper-Alloy 100 Over Copper 50	
Weight: 12.74 g Suitable Cables: RG55, RG142, RG400, RG142-E			

This part number complies with RoHS.

Notice: JYEBAO reserves the right to make modifications deemed appropriate.

CABLE ASSEMBLY INSTRUCTION

TNC3100-0142

JYE BAO CO., LTD.

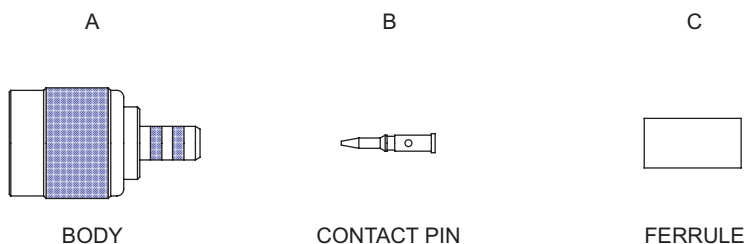


DIAGRAM	ASSEMBLY INSTRUCTION
	<p>Step 1: STRIP AS SHOWN .</p>
	<p>Step 2: SLIDE FERRULE " C " OVER CABLE. Step 3: PUT PIN " B " ON CENTER CONDUCTOR AND SOLDER IN " Y " .</p>
	<p>Step 4: LOOSEN BRAIDING AND SLIDE CONNECTOR " A " IN PLACE.</p>
	<p>Step 5: SLIDE FERRULE " C " TOWARDS THE CONNECTOR " A " AND CRIMP.</p>

This part number complies with RoHS.

Notice: JYEBAO reserves the right to make modifications deemed appropriate.