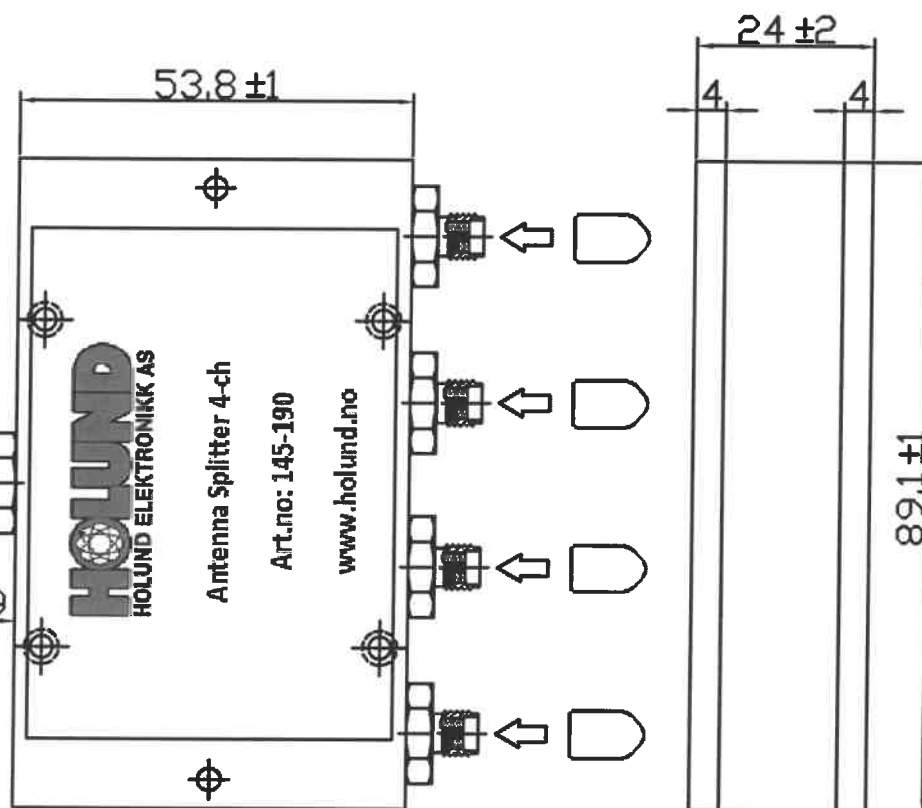
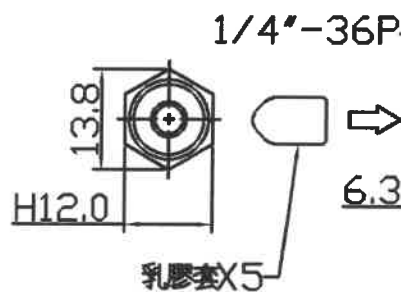
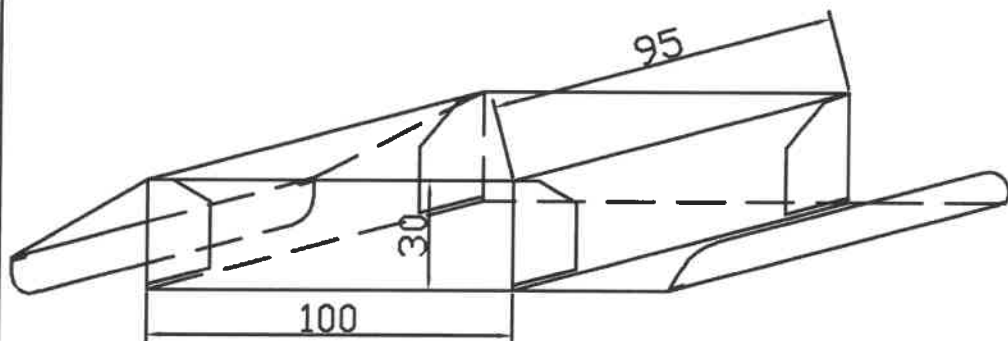


Frequency 690~2700MHz

包裝方式：1Pcs2 氣泡袋(PK-368),入白盒(PK-434)

**ROHS**

ISO 9001  
ISO 14001



Material		Treatment		HOLUND ELEKTRONIKK AS			
Drawer	Design	Aprov	Tolerance	Unit		TITLE	SMA F 1對4(PD-410)分配器
			X=±0.5	mm		Model NO	
			X=±0.2	Ver: A	Scale 1:1	Drawing NO	
			XX=±0.1	File NO: QR0402			
			XXX=±0.05				602-2-022-003-101-2

NO	DESCRIPTION	MATERIAL / FINISH	Q'TY
Part NO	AH-PD410SMAF-011		